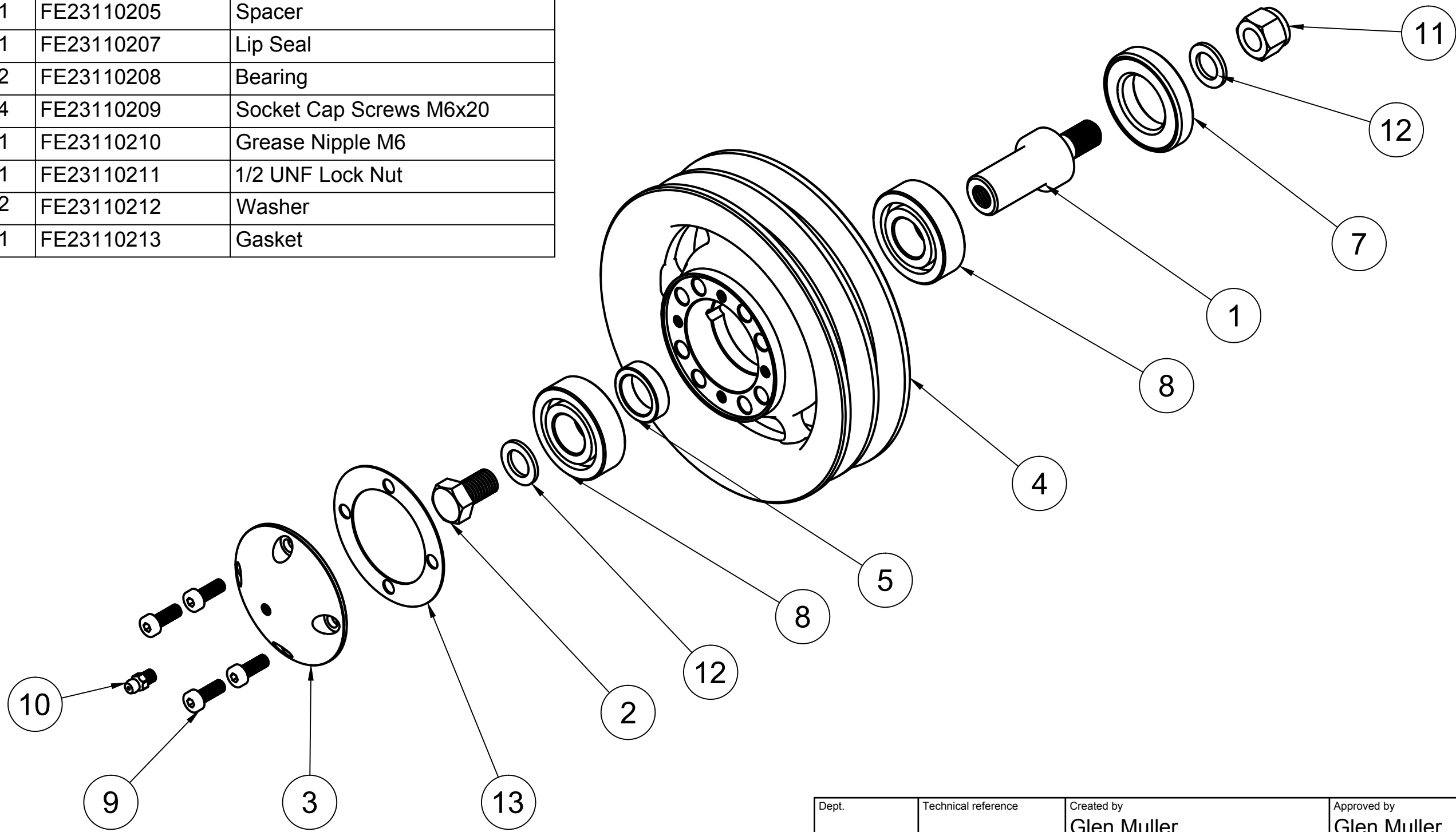



Parts List for FE231102			
Item	Qty	Part Number	Description
1	1	FE23110201	Shaft
2	1	FE23110202	Bolt M12x25
3	1	FE23110203	Bearing Cover
4	1	FE23110204	Pulley
5	1	FE23110205	Spacer
7	1	FE23110207	Lip Seal
8	2	FE23110208	Bearing
9	4	FE23110209	Socket Cap Screws M6x20
10	1	FE23110210	Grease Nipple M6
11	1	FE23110211	1/2 UNF Lock Nut
12	2	FE23110212	Washer
13	1	FE23110213	Gasket



Dept.	Technical reference	Created by <b>Glen Muller</b>	Approved by <b>Glen Muller</b> 4/3/2024
		Document type <b>Parts Diagram</b>	Document status <b>Approved</b>
		Title <b>Pulley V2</b>	DWG No. <b>FE231102</b>
Rev.	Date of issue	Sheet	
1	4/3/2024	1/1	